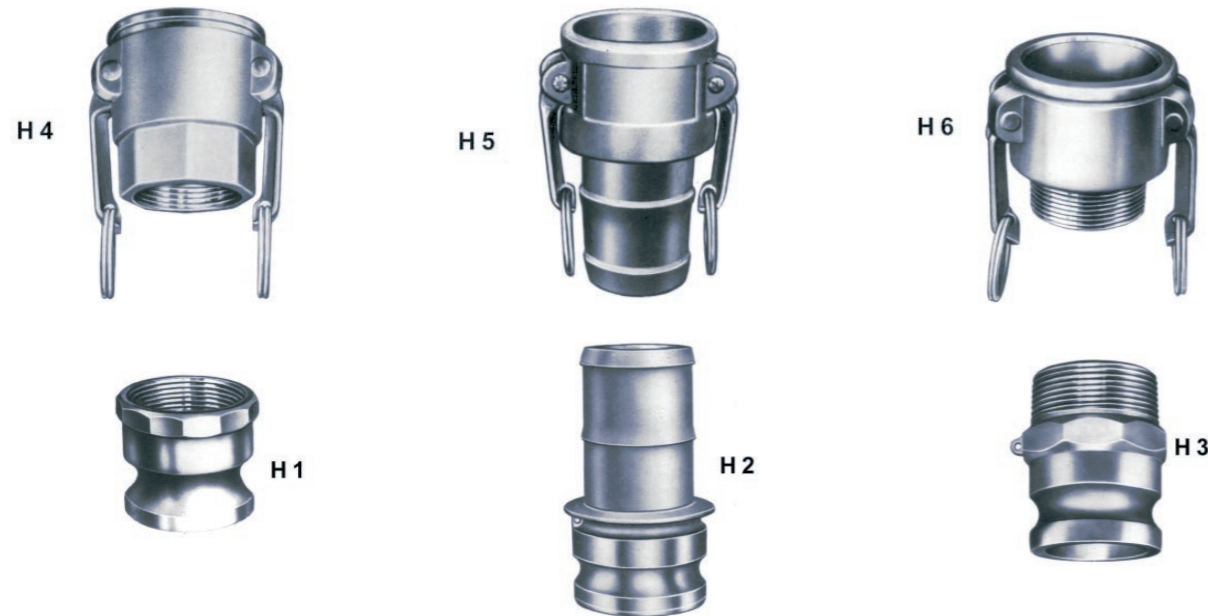


**SURELOK | FAST COUPLER**



The Surelok coupling represents the most innovative method to produce fast and tight connection between two hoses or a vessel and a hose. It complies with the tightness and safety requirements in the chemical and oil industries.

The coupling process does not require any tool and no pre adjustment. It is done by simple operation of two handle. Thanks to the highly mechanical stability design, it overcomes the roughest handling without any damages. The constant and continuous pressure of the counterpiece on the coupling side guarantees perfect tightness with and without product flow. The variety of the models, diameters and materials develop many possibilities for numerous applications with this coupling.

For all coupling problems, the SureLok program offers a good solution. The wide range of program guarantees the perfect match to different products:

- \* Oil products : Liquid gas, black and white products, Bitumen
- \* Chemical and petrochemical
- \* Pharmaceutical raw materials
- \* Liquid food : oil , beer, wine and alcohol, molasses and syrup
- \* Paper pulp, paint and coating
- \* Powdered materials: flour, cement
- \* Granulates and other pneumatically conveyed materials
- \* Clear and waste water sludge
- \* Steam and compressed air.

**NORMAL OPERATING CONDITION**

Operating pressure bar	Safety factor	High pressure special model bar	Operating temperature °C
5 to 8 (dep. on Material)	4	max. 40	-40 to +200



**DIAMETER**

- \* 15 mm (1/2") to 200 mm (8") in brass and aluminium
- \* 15 mm (1/2") to 150 mm (6") other materials

**THREADS AND CONNECTIONS**

- \* BSP or API
- \* With ASA 150 lbs or other flanges
- \* With female hose connector for rubber hoses

**MATERIALS**

- \* Aluminium
- \* Messing
- \* Grey cast iron
- \* Malleable cast iron
- \* Stainless steel

**SEALS**

- \* Perbunan
- \* Neoprene
- \* Butyl
- \* Viton and Teflon
- \* on request Thiokol
- \* Silicone
- \* Hypalon and natural rubber in food quality

**ADDITIONAL FITTING**

- \* Safety chain for protection caps H7 and H8: of 1/2" to 2 1/2" – Length 150mm of 3" to 8" – Length 300mm
- \* Operation lever for coupling
- \* Seals, depending on the type of products.

Within nominal size all model are interchangeable. The adaptor H1,H2 and H3 are the counterprice to the coupling H4, H5 and H6. It is normally installed at hoses or moving connection element.

In order to fulfill possibility of various application, different model in brass and aluminium alloy are produced.

- \* Connecting piece with 90° – internal thread or female hose connector coupling with 90°
- \* Spacer which allow combination of coupling systems, consisting of adaptor/ coupling, adaptor/adaptor , coupling/coupling.

- \* Reducers which allow the transition of a nominal size up to another

- \* 90° connecting piece with check valve

Coupling in size 15(1/2") have only on operating lever. Size 25(1") the lever do not have rings.

In order to avoid leakage losses, we recommend to equip the counterpiece and coupling with protection caps.

**OPERATING PRESSURE**

Nominal size mm	for aluminium and brass bar	for stainless steel bar	for gray cast iron bar
15	10	10	9
20	18	18	9
25	18	18	9
30	18	18	9
40	18	18	9
50	18	18	9
65	10	16	7
80	9	14	7
100	7	7	7
125	5	7	7
150	5	7	7

Obwohl der Inhalt dieses Datenblatts mit größter Sorgfalt erstellt worden ist, übernehmen wir für Fehler und/oder Auslassungen keine Haftung. Änderungen vorbehalten. Surelok EN 09/08

Diese Seite 20 mm kürzen!

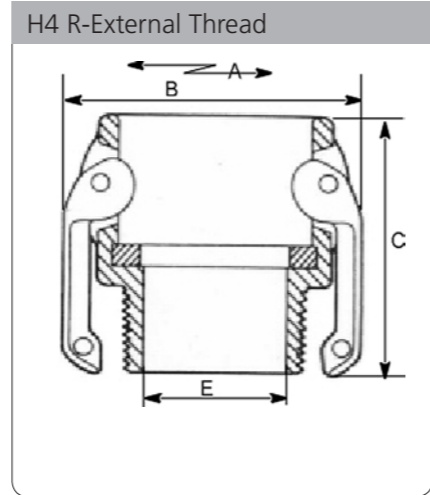
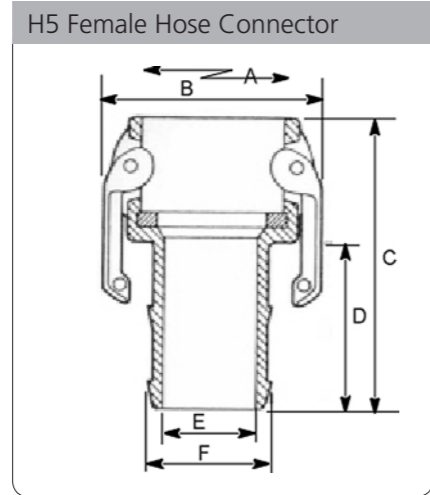
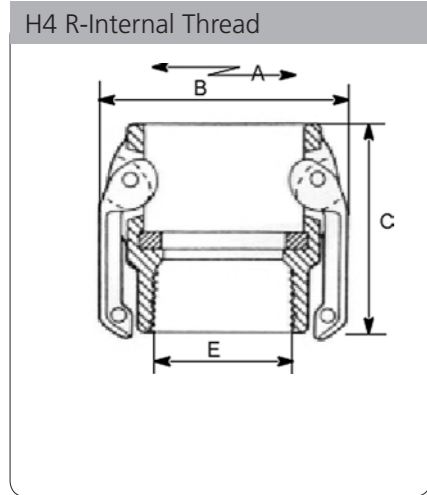
**SURELOK**

Better by Design

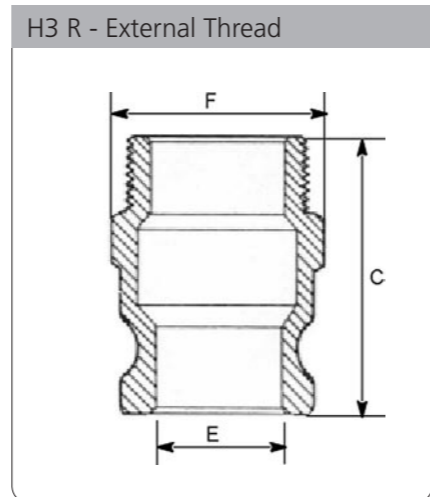
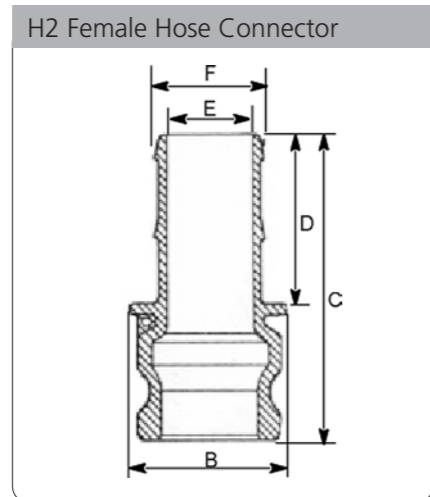
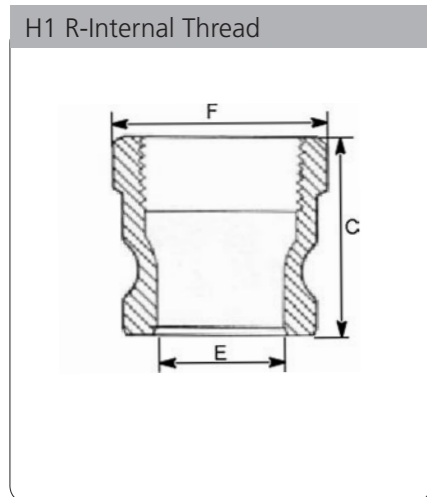


# SURELOK FAST COUPLER

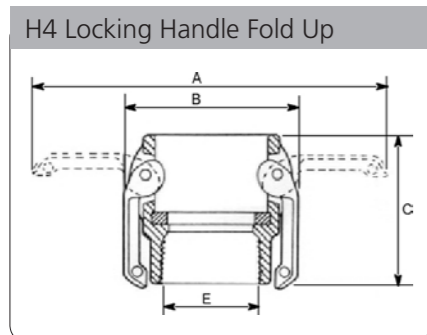
## DIMENSIONS COUPLER (BSPP THREAD)



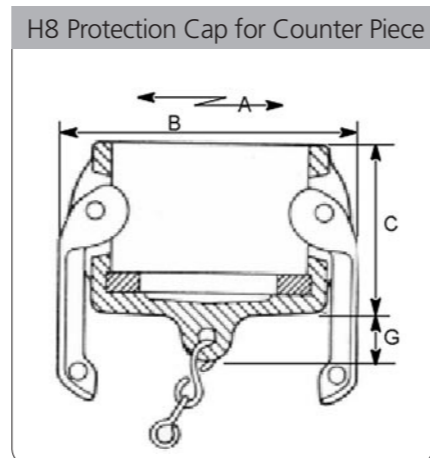
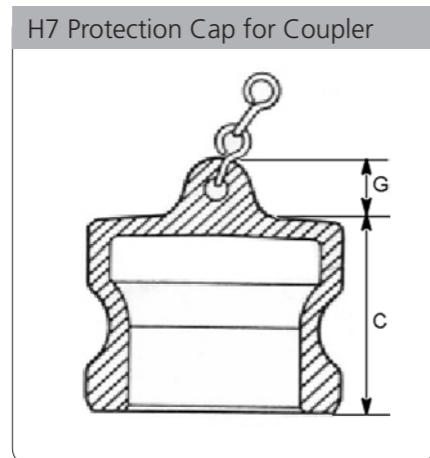
## COUNTER PIECE DIMENSIONS (BSPP THREAD)



## DIMENSIONS LEGENDE



## PROTECTION CAP DIMENSIONS



- A = Length over locking handle
- B = Max. outside diameter
- C = Overall length
- D = Connection length
- E = Min. inside diameter
- F = Max. outside diameter
- G = Height of the chain attachment

## DIMENSIONS SURELOK FAST COUPLER

Designation	*	Thread and/or female hose connector size**									
		R1/2" 1/2"	R3/4" 3/4"	R1" 1"	R1 1/4" 1 1/4"	R1 1/2" 1 1/2"	R2" 2"	R2 1/2" 2 1/2"	R3" 3"	R4" 4"	
H1	C	39,7	41,3	48,4	54,0	55,6	61,9	69,9	69,9	77,8	
	E	14,3	18,3	23,8	28,6	34,9	45,2	55,6	73,0	98,4	
	F	29,4	38,1	43,7	53,2	62,7	71,4	92,9	108,0	138,1	
H2	B	24,6	38,1	42,9	50,8	56,4	66,7	84,1	101,6	131,8	
	C	61,1	92,1	104,8	112,7	116,7	129,4	145,3	168,3	177,0	
	D	34,9	50,8	57,2	57,1	60,3	69,9	79,4	101,6	107,9	
	E	10,3	12,7	19,1	25,4	31,8	42,9	54,8	66,7	91,3	
	F	15,0	21,0	27,0	34,0	40,0	53,0	67,0	80,0	105,0	
H3	C	47,6	55,6	65,1	76,2	78,6	85,7	96,8	100,0	114,3	
	D	15,1	17,5	22,2	22,2	23,0	23,8	30,1	30,1	36,5	
	E	14,3	29,1	24,6	28,6	34,9	45,2	57,2	73,0	97,6	
	F	26,2	38,1	38,9	57,2	61,9	73,8	84,1	108,0	134,1	
H4	A	68,3	119,9	138,9	181,0	188,9	200,0	208,0	250,8	279,4	
	B	41,3	55,6	61,9	80,2	87,3	96,8	112,7	139,7	168,3	
	C	46,8	52,4	63,5	73,0	69,9	84,9	85,7	88,9	100,0	
	E	13,5	22,2	29,4	34,1	41,3	50,8	60,3	73,0	100,0	
H5	A	68,3	119,9	138,9	181,0	188,9	200,0	208,0	250,8	279,4	
	B	41,3	55,6	61,9	80,2	87,3	96,8	112,7	139,7	168,3	
	C	65,9	84,1	96,8	103,2	106,4	126,2	136,5	159,5	169,9	
	D	35,7	50,8	57,1	54,0	60,4	71,4	79,3	101,6	108,0	
	E	10,3	12,7	19,1	25,4	31,8	42,1	54,8	67,5	91,3	
	F	15,0	21,0	27,0	34,0	40,0	53,0	67,0	80,0	105,0	
H6	A	68,3	111,9	138,9	181,0	188,9	200,0	208,0	250,8	279,4	
	B	41,3	55,6	61,9	80,2	87,3	96,8	112,7	139,7	168,3	
	C	46,0	52,4	61,9	72,2	69,9	78,6	88,9	89,7	100,8	
	D	18,2	19,1	22,2	23,0	22,3	23,8	31,7	30,2	38,9	
	E	13,5	19,1	25,4	31,8	38,9	50,8	60,3	73,0	100,0	
H7	C	25,4	28,6	34,1	38,1	44,5	47,6	47,6	50,8	54,0	
	G	18,2	19,1	22,2	23,0	22,3	23,8	31,7	30,2	38,9	
	E	12,7	12,7	13,5	15,9	17,5	15,9	17,5	19,1	22,2	
H8	A	68,3	111,9	138,9	181,0	188,9	200,0	208,0	250,8	279,4	
	B	41,3	55,6	61,9	80,2	87,3	96,8	112,7	139,7	168,3	
	C	30,2	31,8	42,1	50,8	50,0	57,2	34,7	62,7	49,2	
	G	12,7	12,7	15,9	16,7	19,1	17,5	19,1	19,1	19,1	

\* A = Length over locking handle  
 B = max. outside diameter  
 C = Overall Length  
 D = Connection range  
 E = min. inside diameter  
 F = max. outside diameter  
 G = Height of the chain attachment

\*\* all measures in mm