

E0264 | FOLDING STAIRWAY FOR BULK TRANSFER



FEATURES

- * Folding stairways are operational immediately after bolt-on
- * Recommended by Health & Safety Dept. „Steinbruchs-Berufsgenossenschaft Karlsruhe, Germany“
- * Designed for loading of bulk tank cars

SAFETY

Folding stairways are used to bridge the distance from loading racks to tank cars, rail tankers or for similar applications. As a technical work appliance they have to fulfil special safety requirements.

For the specific application of bulk loading folding stairways are equipped with additional lateral platforms, with side railings and knee guides for safe access to the dome area.

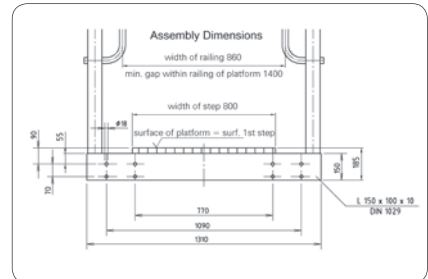
E0264

E0264 | FOLDING STAIRWAY FOR BULK TRANSFER

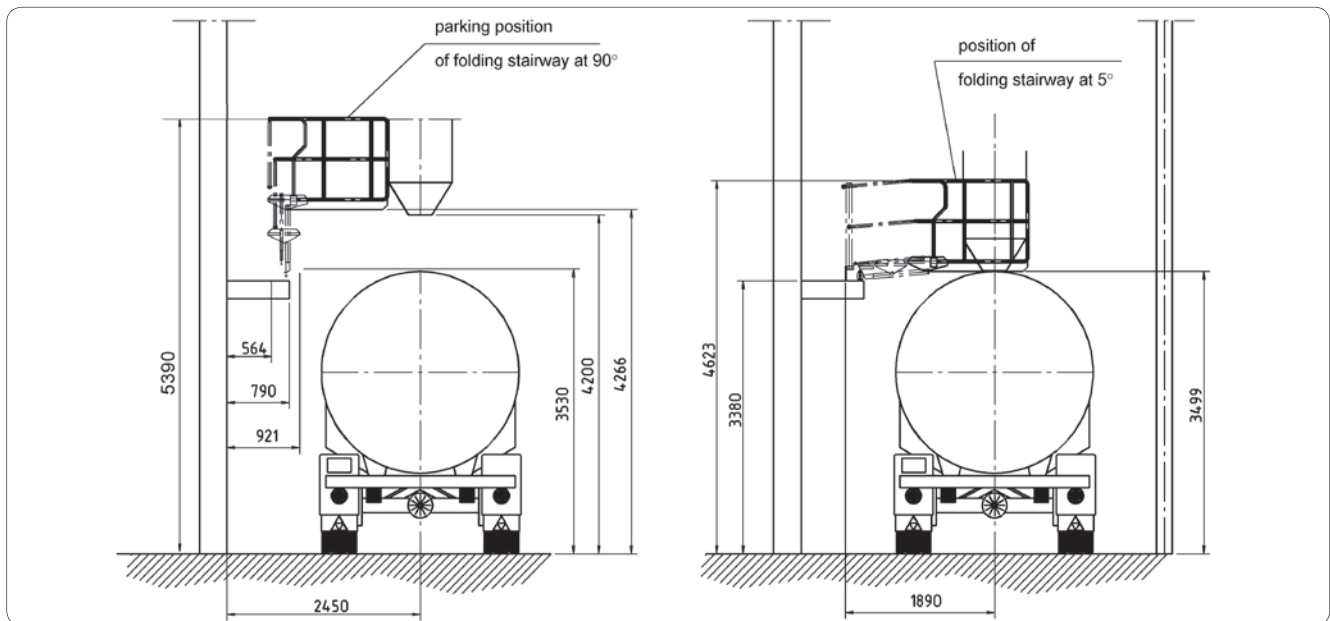


DIMENSIONS AND TECHNICAL DATA

	Bending moment on platform	Weight
3-steps	5.30 Nm	240 kg
4-steps	7.400 Nm	270 kg
5-steps	10.000 Nm	320 kg



TYPICAL APPLICATION



EMCOWHEATON

A Gardner Denver Product

Better by Design



EMCO WHEATON GmbH
 Emcostraße 2-4 · 35274 Kirchhain · Germany
 Phone +49 6422 84-0 · Fax +49 6422 5100
 www.emcowheaton.com · info-de@emcowheaton.com

Whilst the content of this leaflet has been edited with the greatest care, we are not liable for any errors and/or omissions. Subject to change without notice.

E0264 EN 05/08