

## E2632 | LOADING ARM WITH VAPOR RETURN LINE



### FEATURES

- \* Petroleum application
- \* Chemical application
- \* Long life
- \* Low maintenance
- \* Easy handling
- \* Material:  
carbon steel/alu,  
low temperature steel,  
stainless steel, PTFE-lined
- \* Temperature range  
from -50 °C to +50 °C
- \* Comprehensive range  
of safety accessories
- \* EMCO-high performance  
swivel joints

Loading arms with vapor return lines will be used for hydrocarbons (e.g. gasoline), toxic and aggressive media.

Two boom loaders are connected together to form a new loader type. All movements are performed in parallel - hence the name: EMCO parallel arm. Its advantages: It can be operated like a single arm, i. e. it is highly maneuverable. Both the product and vapor recovery lines are free from pockets.

By loading with vapor return line, the product vapor will be recovered through the loading arm. This improves the profitability of the terminal because vaporized product can be recovered and vapor does not pollute the environment. By loading with sealed manhole a high level of protection is achieved for both, the operator and the environment.

Legal requirements and regulations (e.g. EU-Norm, TA-Luft) can be met.

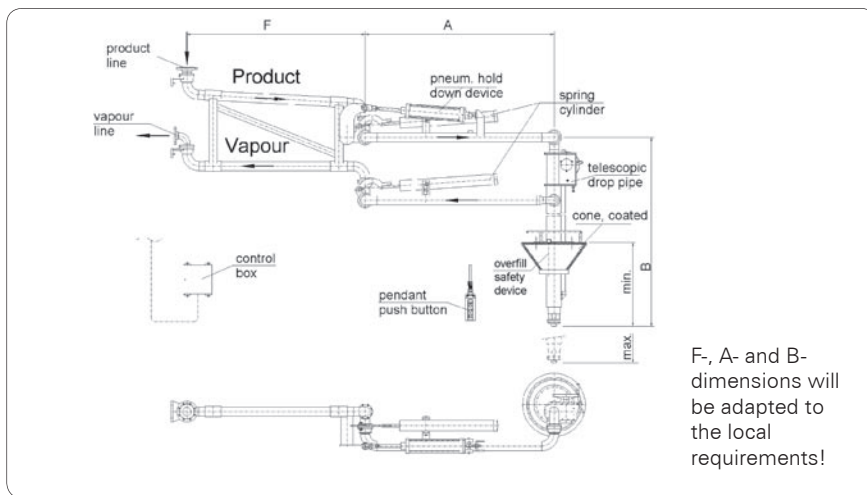
# E2632

# E2632 | LOADING ARM WITH VAPOR RETURN LINE

## TECHNICAL DATA E2632

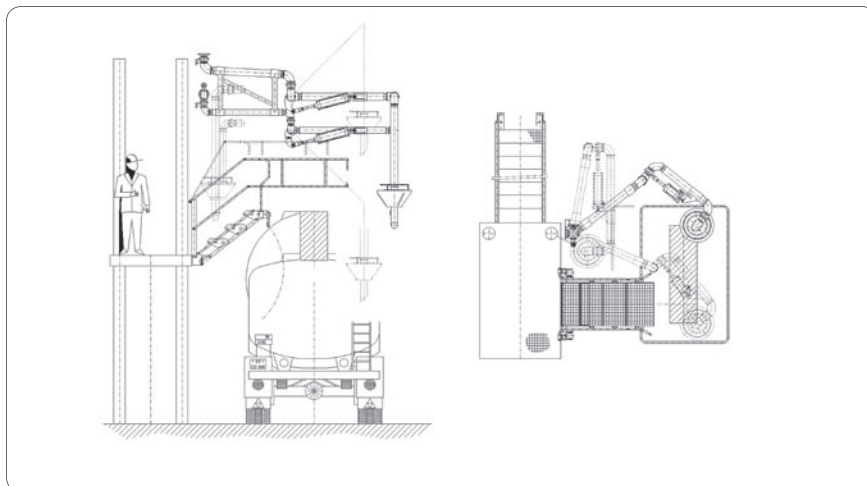
Size DN		Seals	Application range	Design	Accessories
Product	Vapor				
50	50	NBR, EPDM, PTFE, special materials	<ul style="list-style-type: none"> <li>* High temperature up to 300 °C</li> <li>* Heating of product line or vapor line with steam, thermo-oil or electrically</li> <li>* Low temperature on request</li> </ul>	<ul style="list-style-type: none"> <li>* Piggable</li> <li>* Acc. WHG acc. VbF (international)</li> </ul>	<ul style="list-style-type: none"> <li>* Cover plate</li> <li>* Cone</li> <li>* Telescopic drop pipe</li> </ul>
80	50				
100	80				
150	100				

Alternative dimensions and materials on request



The E2632 is the technically best solution for the loading process with vapor return. Due to the vapor line without slop, collection of condensate is prevented. The design allows heating of product and vapor line. The design of the vapor line with swivel joints gives an easy handling as a further advantage against the use of hoses.

## TYPICAL APPLICATION:



Better by Design



**EMCOWHEATON**

A Gardner Denver Product

EMCOWHEATON GmbH  
 Emcostraße 2-4 · 35274 Kirchhain · Germany  
 Phone +49 6422 84-0 · Fax +49 6422 5100  
 www.emcowheaton.com · info-de@emcowheaton.com