

LOADING ARM FOR OPEN LOADING I DATA SHEET

PLEASE FAX OR E-MAIL TO EMCO WHEATON
OR YOUR EMCO WHEATON AGENT.

| | | | |
|--|--------------------------|-----------------|----|
| Company | | Contact | |
| Address | | Tel.-No. | |
| | | Fax-No. | |
| | | E-mail | |
| Installation site | | Date | |
| Loading arm data | | | |
| Road tanker | <input type="checkbox"/> | | |
| Rail car | <input type="checkbox"/> | | |
| Type of loader | | | |
| Number of loaders | | | |
| Bore size of product loader | | | |
| Bore size of vapour return loader | | | |
| Material | | | |
| Seal material | | | |
| Drop pipe | | | |
| To be in contact with tank bottom during loading ? | yes | | no |
| Drop pipe spout: 45°? | yes | | no |
| T-type? | yes | | no |
| Accessories required | | | |
| Closing valve | Specification | | |
| Remote control | | | |
| Other requirements please specify | | | |
| Product data | | | |
| Product name / formula | | | |
| Ambient temperature [°C] | | | |
| Operating temperature [°C] | | | |
| Pressure [bar] | | | |
| Flow capacity (max.) [m³/h] | | | |
| Density [kg/dm³] | | | |
| PET | | | |
| ATEX | | | |
| Category | | | |
| Explosion group | | | |
| Temperature class | | | |

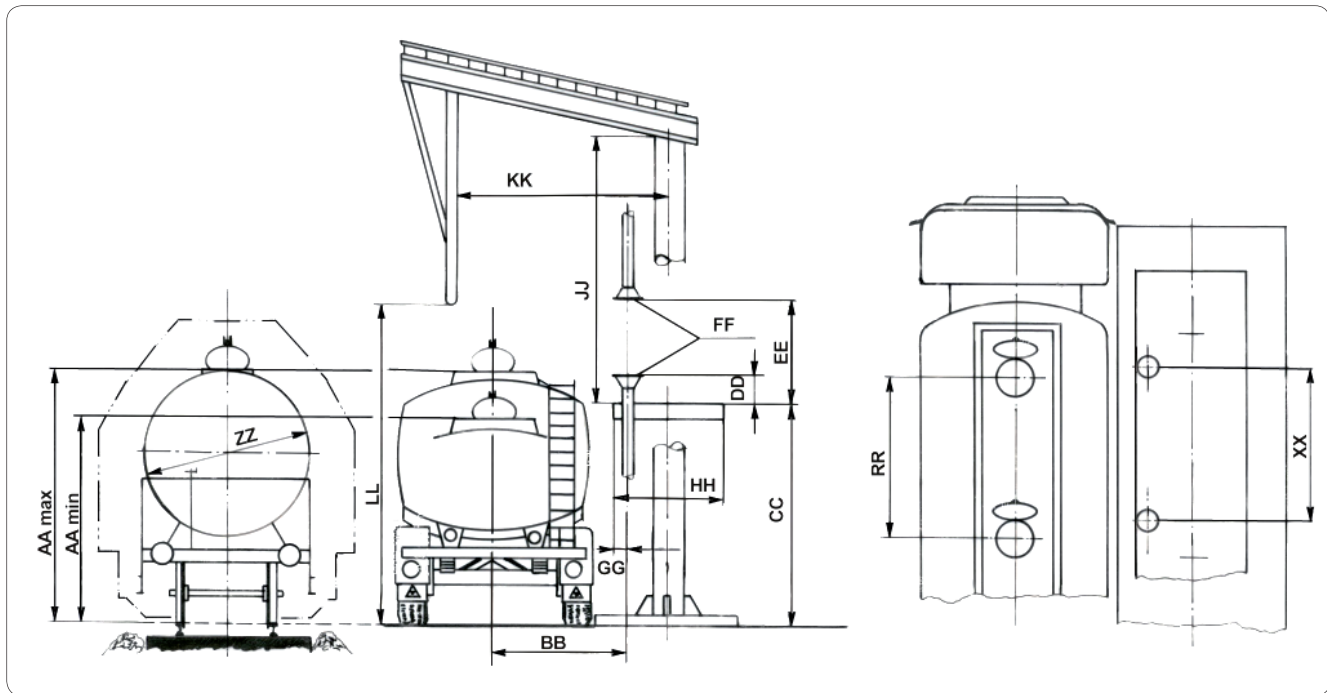
LOADING ARM FOR OPEN LOADING | DATA SHEET

DIMENSIONS AT STORAGE

| | | |
|----|---|--|
| CC | Height of platform | |
| DD | Height of connection (product from below) | |
| EE | Height of connection (product from above) | |
| FF | Specification of flange | |
| GG | Distance to edge of platform | |
| HH | Platform width | |
| JJ | Distance from platform to roof | |
| KK | Distance from centerline of platform to handrailing | |
| LL | Distance from handrail to ground | |
| XX | Center distance between connections (multiple loader installation) | |

VEHICLE DIMENSIONS

| | | Minimum | Maximum |
|----|--|---------|---------|
| AA | Height of vehicle-flange above ground | | |
| BB | Distance from vehicle center to storage connection | | |
| RR | Manhole center distance | | |
| ZZ | Tank truck compartment diameter | | |
| | Manhole diameter | | |



EMCOWHEATON

A Gardner Denver Product

Better by
Design



EMCO WHEATON GmbH
Emcostraße 2-4 · 35274 Kirchhain · Germany
Phone +49 6422 84-0 · Fax +49 6422 5100
www.emcowheaton.com · info-de@emcowheaton.com

Loading arm for closed filling EN 05/08

Whilst the content of this leaflet has been edited with the greatest care, we are not liable for any errors and/or omissions. Subject to change without notice.