

DROP ELBOWS

F0077

4" VAPOR RECOVERY ELBOW

EMCO WHEATON

A Gardner Denver Product

FEATURES & BENEFITS

The vapor drop elbow is designed with the operator in mind. It is lightweight and durable with a low pressure drop to reduce delivery times.

- **Lightweight** aluminum construction
- **Low pressure drop**, ensuring high flow rates
- **Available with and without** internal poppet assembly
- **Simple and reliable** cam design
- **Quick and easy** to rebuild
- **Two piece construction** allows change of hose connection size and style
- **Most parts interchangeable** with other Emco Drop Elbows



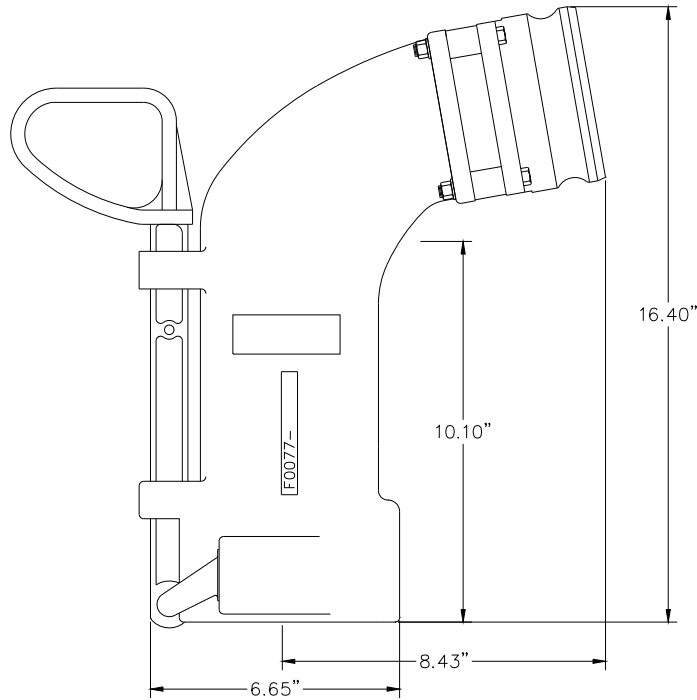
**SPECIFY "EMCO WHEATON"
FOR THE HIGHEST FLOW**

As a part of a continuous commitment to product development the company reserves the right to alter the specification of its products without prior notice

Emco Wheaton Fuel Systems
Gardner Denver Inc.
4601 Commerce Crossings Drive Suite 200, Louisville, KY 40229 USA
Tel: +1 800 285 EMCO (3626) Fax: +1 502 266 5873
e-mail: fs-us@emcowheaton.com www.emcowheaton.com



OVERALL DIMENSIONS



VARIANTS

| PART NO. | DESCRIPTION | WEIGHT |
|-----------|---|----------|
| F0077-007 | Vapor Elbow 4" Base x 3" C&G, Poppeted | 13.0 lbs |
| F0077-008 | Vapor Elbow 4" Base x 3" FNPT, Poppeted | 13.0 lbs |
| F0077-009 | Vapor Elbow 4" Base x 3" C&G, Non-Poppeted | 12.6 lbs |
| F0077-010 | Vapor Elbow 4" Base x 3" FNPT, Non-Poppeted | 12.6 lbs |
| F0077-011 | Vapor Elbow 4" Base x 4" C&G, Poppeted | 13.6 lbs |
| F0077-012 | Vapor Elbow 4" Base x 4" C&G, Non-Poppeted | 13.6 lbs |

Sheet Ref. CSF0077
Oct 2008 - Revision 0

As a part of a continuous commitment to product development the company reserves the right to alter the specification of its products without prior notice

*Better by
Design*

EMCO WHEATON

A Gardner Denver Product

Emco Wheaton Fuel Systems
Gardner Denver Inc.
4601 Commerce Crossings Drive Suite 200, Louisville, KY 40229 USA
Tel: +1 800 285 EMCO (3626) Fax: +1 502 266 5873
e-mail: fs-us@emcowheaton.com www.emcowheaton.com