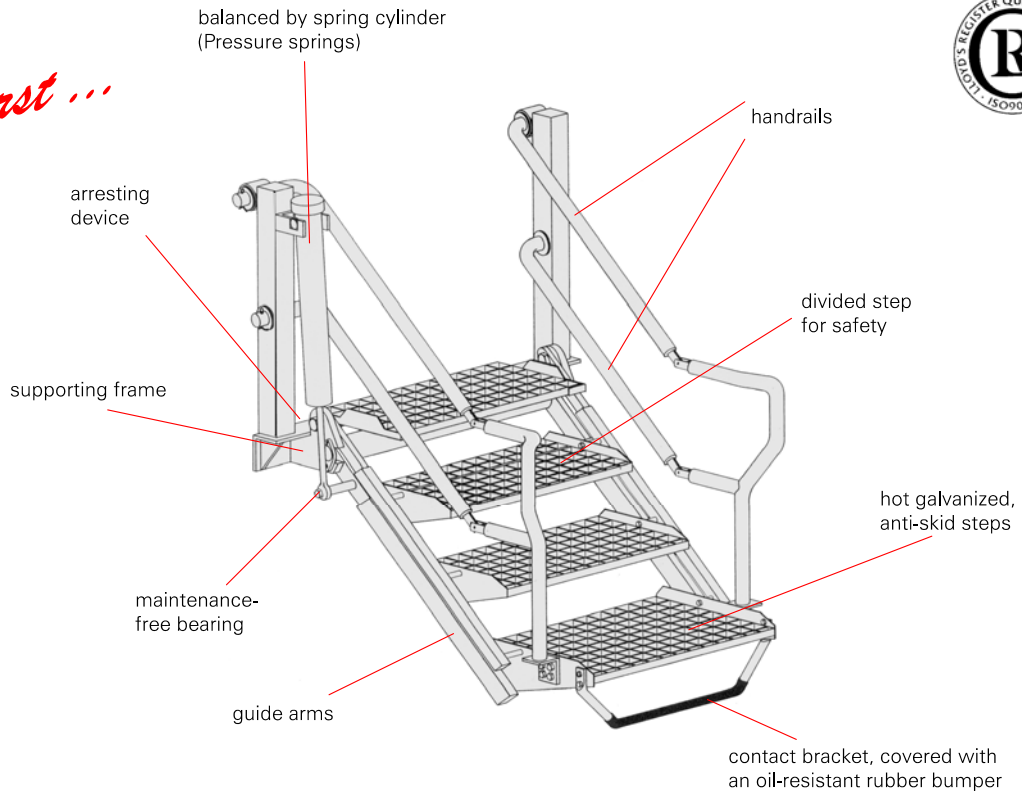


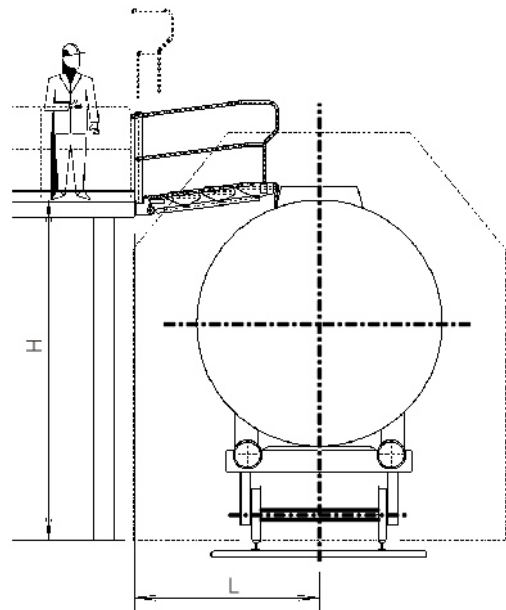
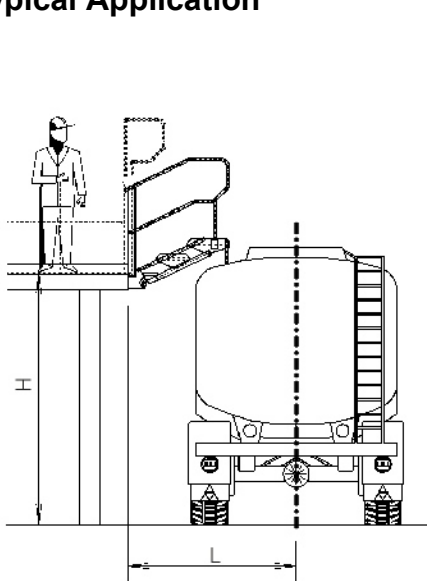


Safety first ...



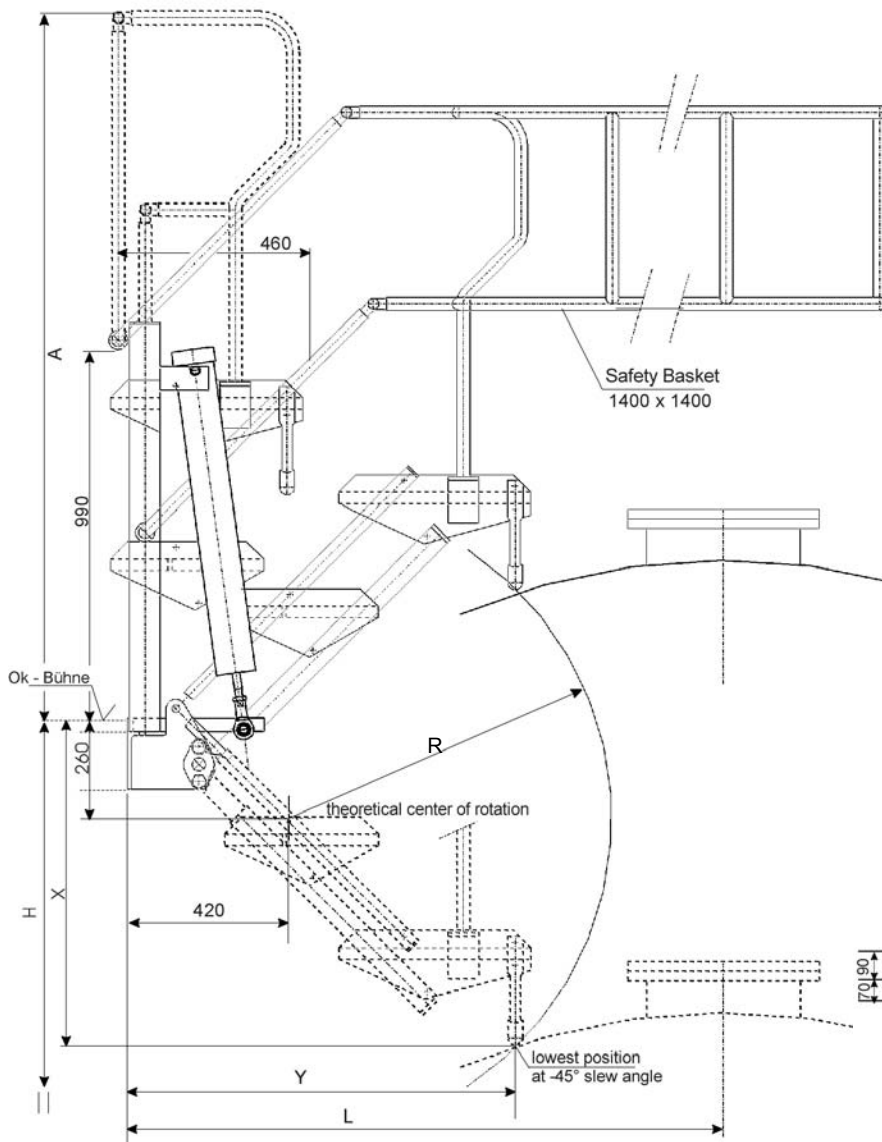
- Immediately after mounting, the Folding Stairway will be operational.
- Test certificate No. 00056 of "Fachausschuß Bauliche Einrichtungen der Zentralstelle für Unfallverhütung und Arbeitsmedizin des Hauptverbandes der gewerblichen Berufsgenossenschaft e.V."

Typical Application



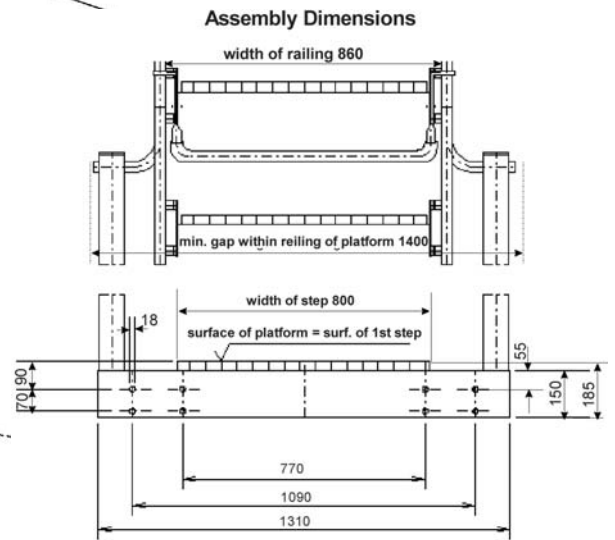
Tank truck loading		
	L	H
3 steps	1650 **	2800 ... 3400
4 steps	2150	
** Recommendation: provision of a kerb		

Rail car loading		
	L	H
4 steps	2200 *	3400 ... 4200
5 steps	2600	
* for low racks, clearance gauge to be considered		



	Dimensions (mm)			
	A	R	X	Y
3 steps	1845	840	853	1009
4 steps	2265	1260	1150	1306
5 steps	2685	1680	1447	1603

	Safety Basket	Bending moment on platform	Weight kg
3 steps	without	2800 Nm	185
	with	3200 Nm	210
4 steps	without	4800 Nm	210
	with	5300 Nm	235
5 steps	without	7400 Nm	260
	with	8000 Nm	285



Safety

Folding Stairways are normally used to bridge the distance from loading racks to tank cars or rail tankers. They however can also be used for similar applications. Folding Stairways have to fulfil high safety requirements.

The EMCO Folding Stairway E0264 fulfils the highest safety requirements.

The "German Health and Safety Executive Technical Committee" has approved the EMCO Folding Stairway E0264. This authority has awarded the EMCO Folding Stairway E 0264 with the test certificate:

00056 for Folding Stairways (3 - 5 steps) without safety basket

The above mentioned authority requests from the user proper installation of the Folding Stairway as well as proper operation and maintenance.

Local regulations should apply. It is the buyer's responsibility to assure that the structure is suitable for this equipment.

Accessories:

- ◆ limit switch for indication of parking position
- ◆ complete hot galvanizing
- ◆ Tracking device to allow alternative safety access positions along the loading platform
- ◆ warning panel red/white
- ◆ pneumatic or hydraulic operation
- ◆ Safety basket integrated with Folding Stairway or as separate item

EMCO WHEATON
A Gardner Denver Company

E0264_e hsc

Whilst the content of this leaflet has been edited with the greatest care, we are not liable for any errors or omissions

EMCO WHEATON
GmbH

Emcostr. 2 – 4 D - 35274 Kirchhain, Germany
Tel.: +49 (0) 6422 84-0 ♦ Fax : +49 (0) 6422 5100
sales@emcowheaton.com ♦ www.emcowheaton.de